



Thank you for purchasing this Total Repair Conversion Kit  
This product helps the environment and your wallet by saving thousands of gallons (litres) of water every year!

# Installing The HydroClean<sup>®</sup> Fill Valve

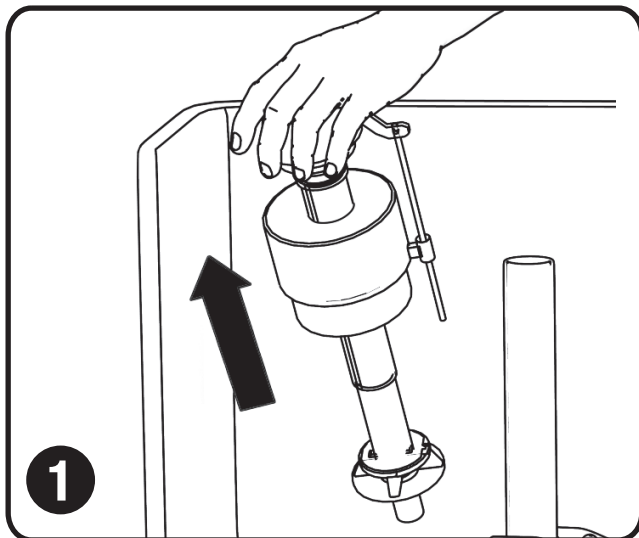
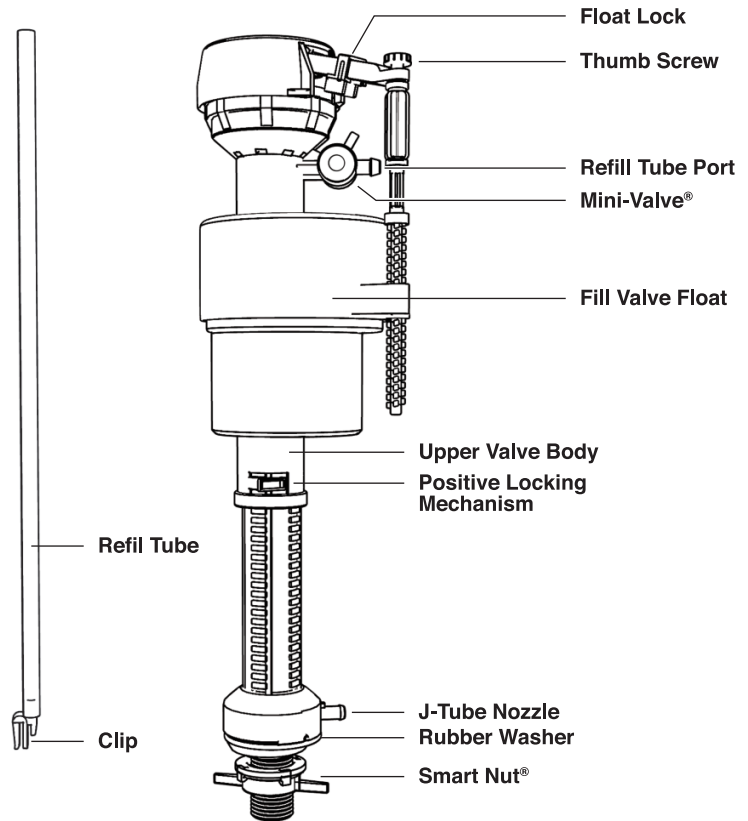
These instructions provide the manufacturer's recommendation for installing the fill valve and the dual flush converter together so that the maximum water savings can be achieved. These instructions are designed to work in most toilets. Your toilet may require additional adjustment to maximize water savings and optimize performance.

Refer to this illustration to familiarize yourself with terms for the parts of the Fill Valve.

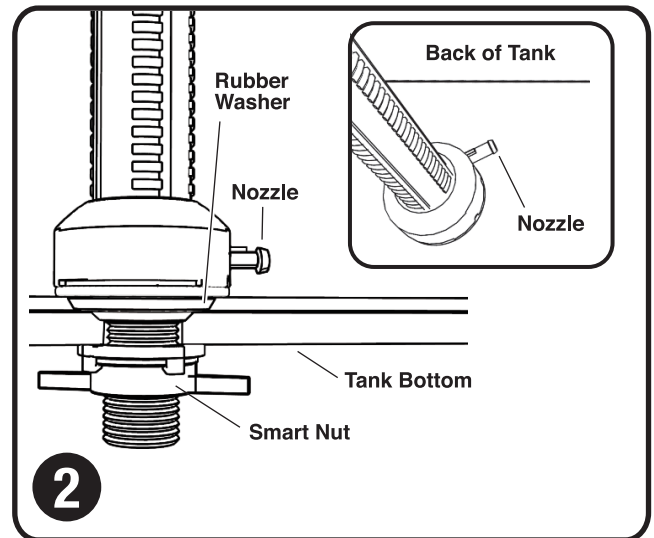
## BEFORE YOU BEGIN



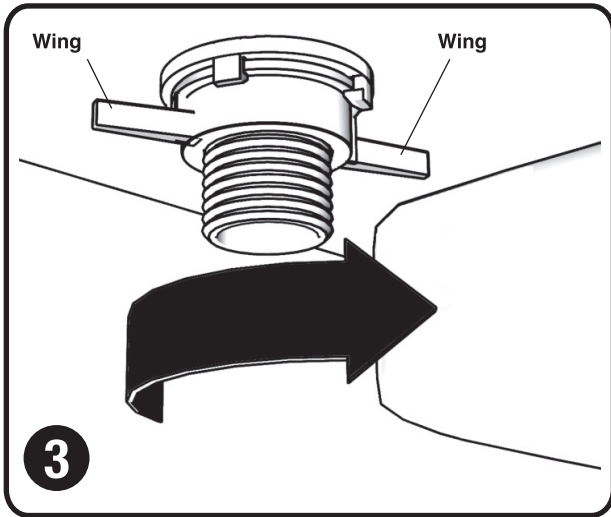
Mark the water line level, with a pencil, before shutting off water or flushing toilet. This mark will be referred to in the Water Saving Tips and Tricks section.



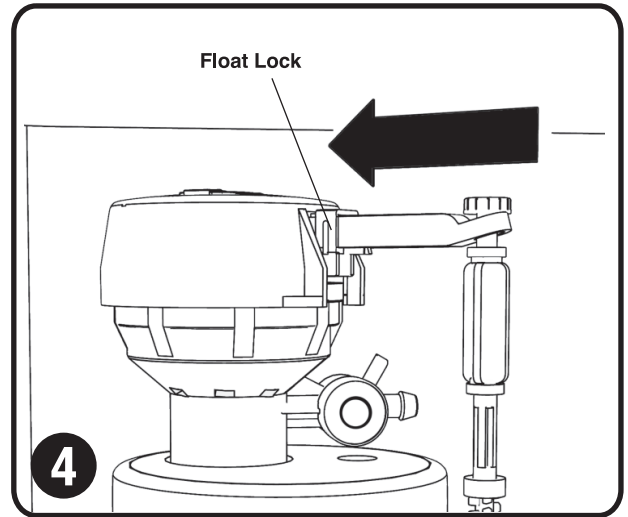
1 Shut off water, flush toilet to empty tank and remove old toilet fill valve.



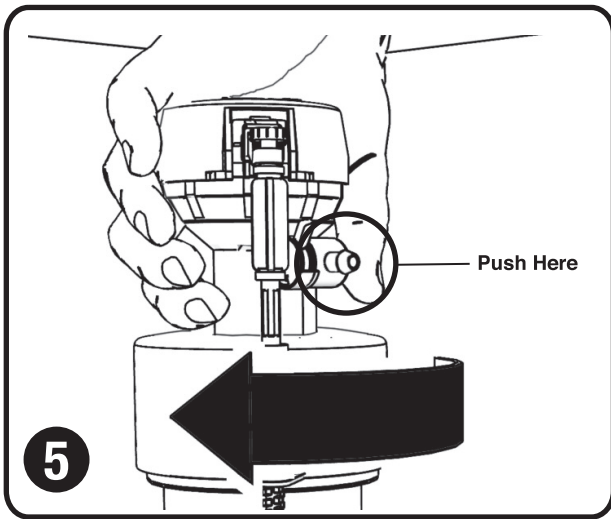
2 Install Valve with Rubber Washer seated as shown above. Nozzle should point back and right within tank.



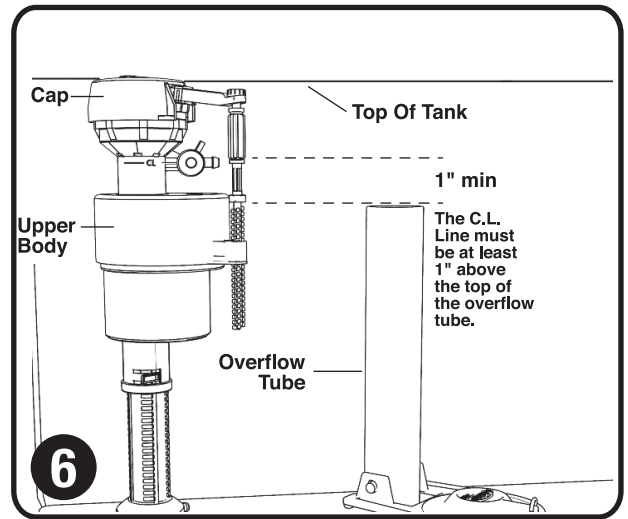
**DO NOT OVERTIGHTEN.** The Smart Nut should only be hand tightened and should make 1-3 audible clicks to signal it is tight. Wings are designed to bend if Smart Nut is overtightened, preventing leaks and cracking. **DO NOT USE PLUMBER'S PUTTY TO SEAL FITTINGS.**



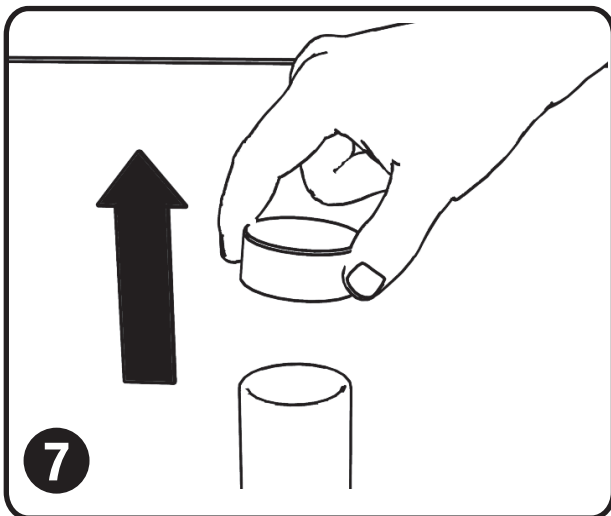
Engage white Float Lock by sliding towards Cap.



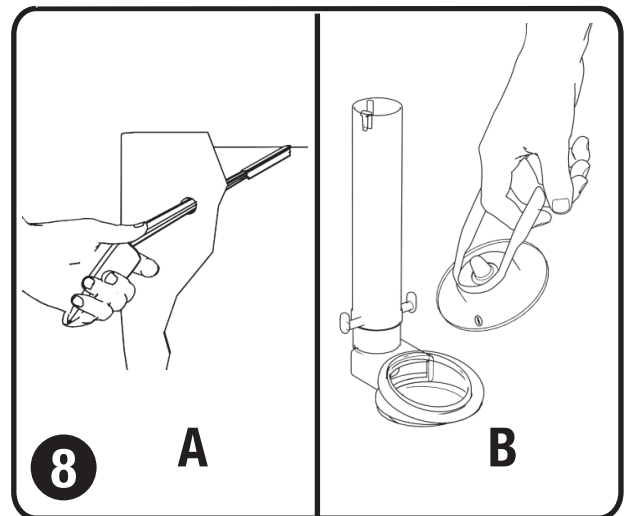
To adjust Valve height with unit installed in tank, grasp upper portion, placing thumb on gray side of Mini-Valve and push clockwise ¼ turn. Slide Upper Body to adjust up or down.



Adjust Valve height so that top of Cap is even with top of tank. This height should allow the final Float adjustment to be achieved with Thumb Screw (described later). Turn Upper Body counterclockwise to lock in Valve height.



If overflow tube has a cap, remove it and discard before installing Refill Tube. Proceed to installing the dual flush converter.



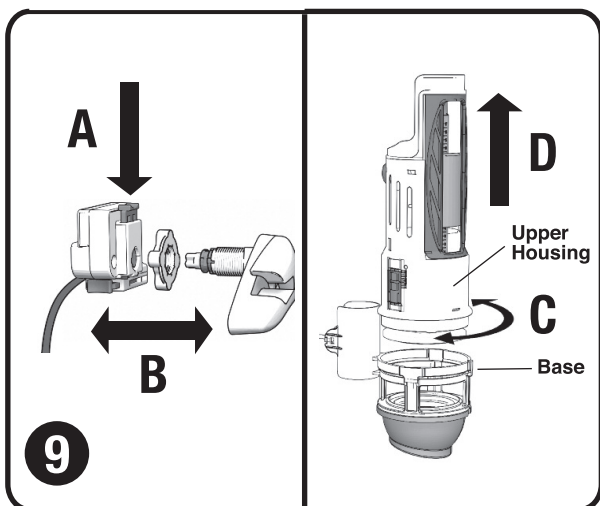
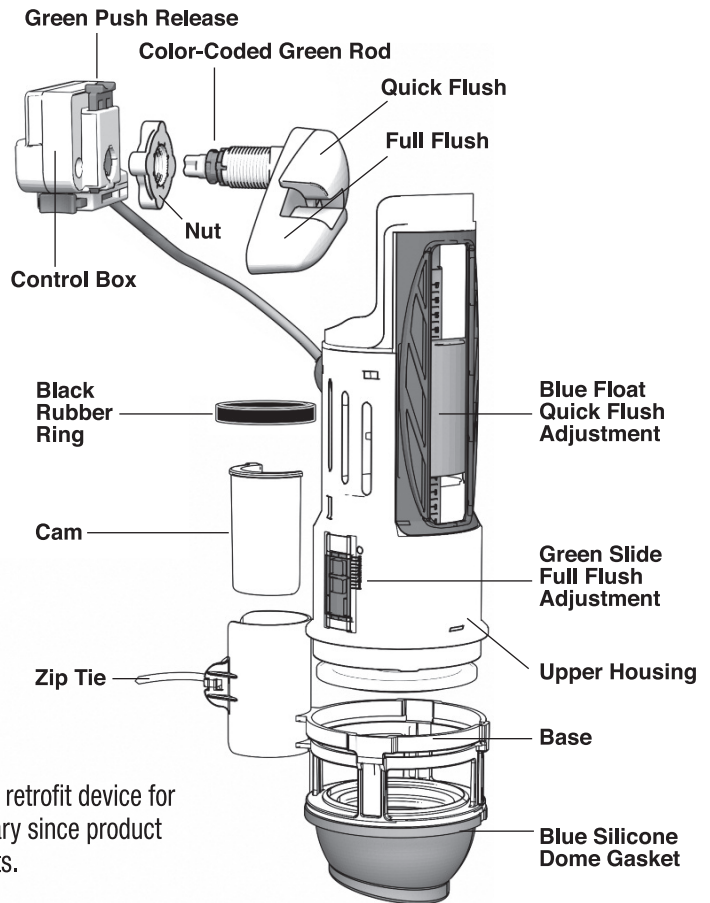
A. Turn off water. Flush toilet.

B. Disconnect and remove flapper and handle.

# Installing the HydroRight® Dual Flush Converter\*

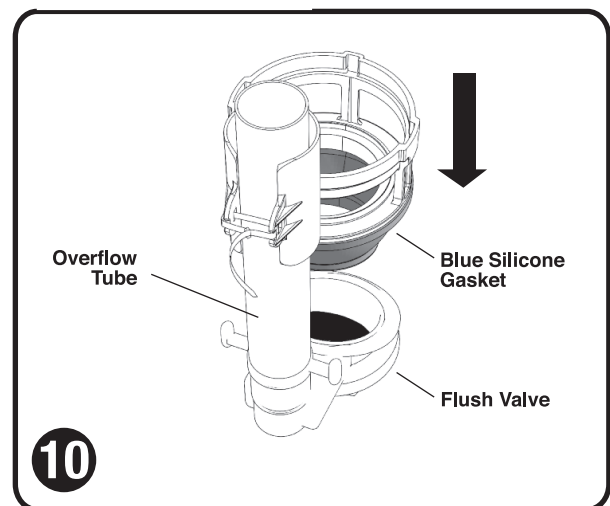
Refer to this illustration to familiarize yourself with terms for parts of the Dual Flush Converter

\*This device is not intended to be used as a retrofit device for 1.28 gpf water closets. Performance may vary since product was not tested on all models of water closets.

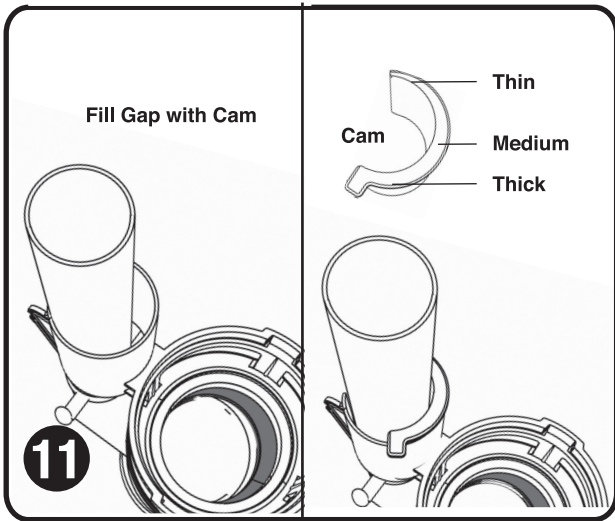


**A.** Push in Blue or Green Release  
**B.** Separate Handle

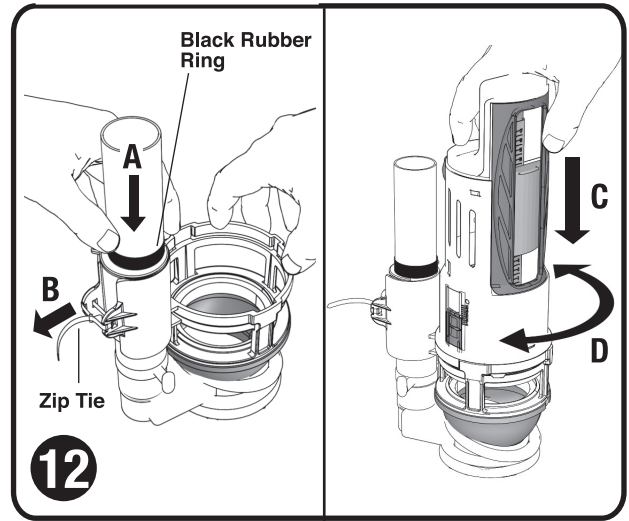
To detach the upper housing (C) from the base (D), hold base and gently pull apart while turning the upper housing.



Slide Base down overflow tube, seating Blue Silicone Gasket into flush valve. Unit is designed to install vertically with both angled and straight flush valve openings. Gasket should seat tight enough to make a seal, but not so much that the dome gasket warps.

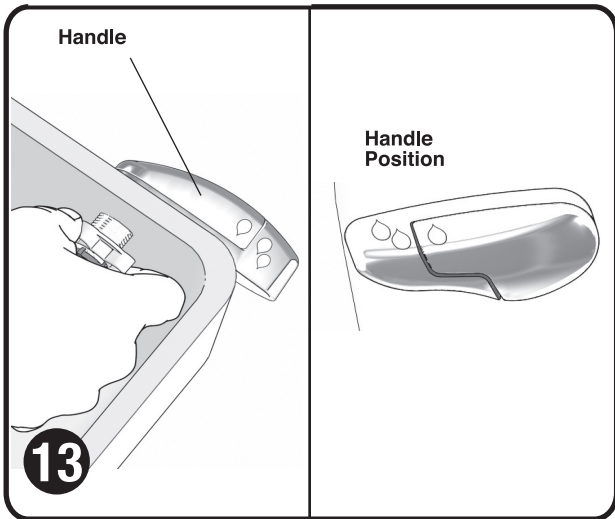


If gap appears around overflow tube, estimate width of space and use with thick, medium or thin section of Cam, as needed to fill gap.

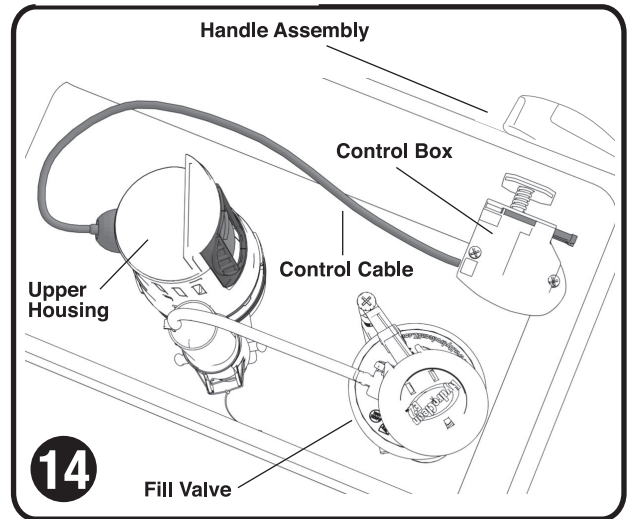


A. Slide Black Rubber Ring onto overflow tube until ring just touches cam.  
B. Then pull Zip Tie tight.

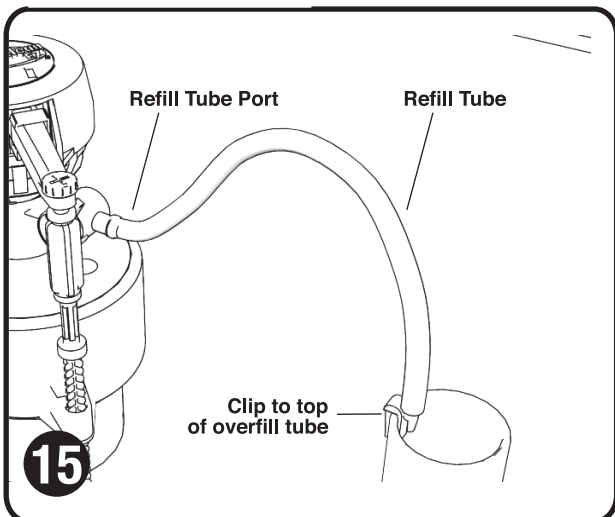
C. Attach Upper Housing to Base.  
D. Twist to lock in place.



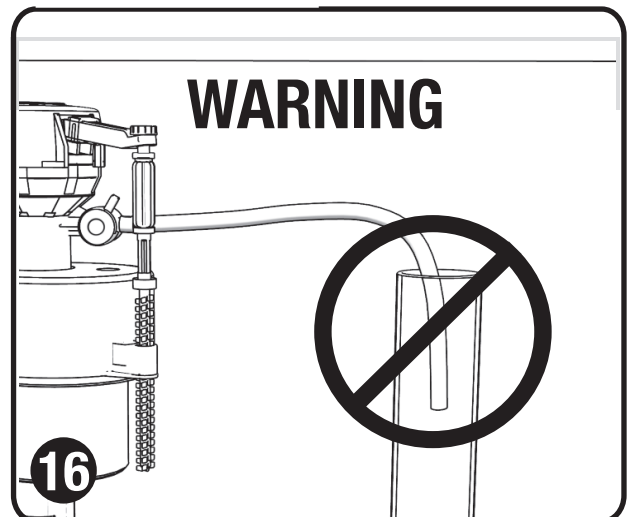
Position and hand tighten Handle in a standard operating position.



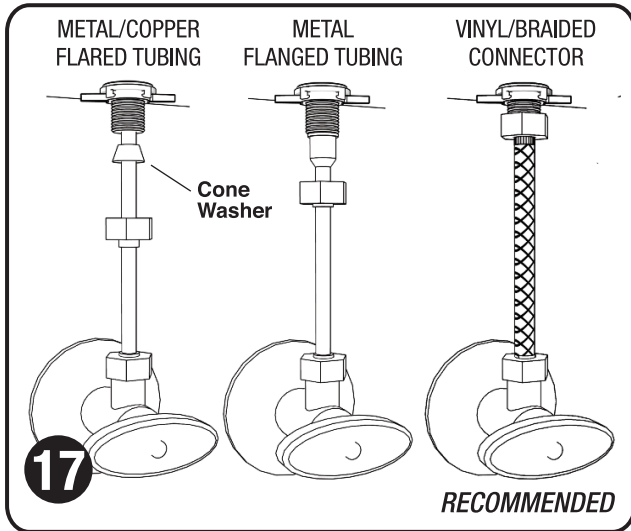
Match the color-coded hole to the corresponding Handle connection pieces, attach white Control Box to Handle. Audible click assures that Clip has secured Control Box to Handle and unit will no longer pull apart without pushing the Green or Blue Push Release.  
**CONTROL BOX AND CONTROL CABLE MUST NOT TOUCH FILL VALVE OR INTERFERE WITH FILL VALVE'S OPERATION.**



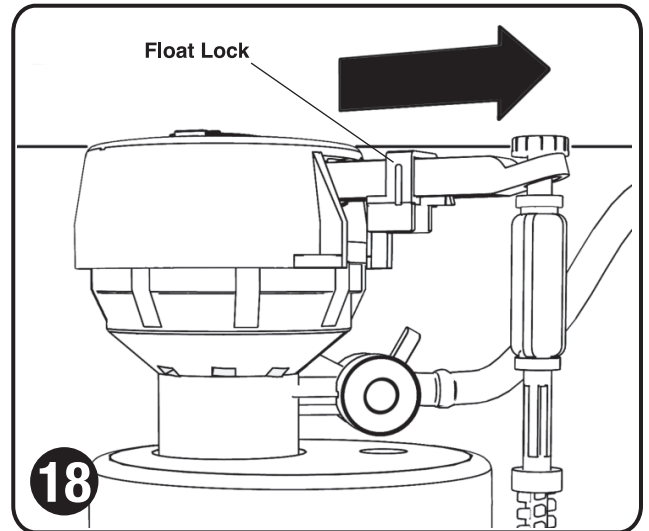
Install Refill Tube of fill valve. Attach Clip to overflow tube. Trim tubing to size to prevent kinking and install tubing onto the Mini-Valve Refill Tube Port.



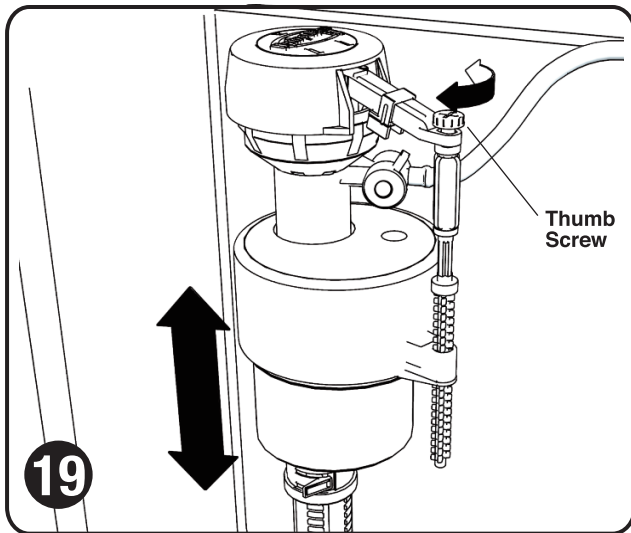
**NOTE:** Refill Tube must be positioned above overflow tube. **DO NOT INSERT REFILL TUBING DOWN OVERFLOW PIPE.** This improper installation violates plumbing code and could result in a leak.



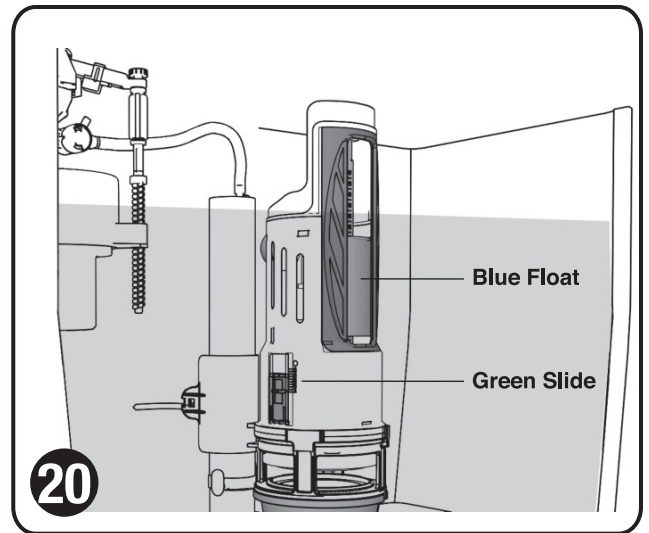
We recommend replacing an old, rigid metal water supply line with a flexible, braided supply line.



Turn on water and when water is clear, disengage Float Lock to fill tank. This will prevent debris from plugging up Valve.



A Thumb Screw is provided to fine-tune adjustments to float.



Proper water level should be indicated inside tank or 1/2" to 1" (13 - 25 mm) below overflow tube.

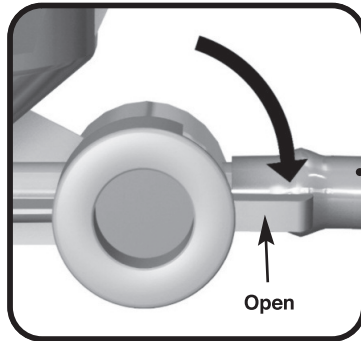
Adjust Blue Float. Begin with Blue Float at lowest position. Adjust Blue Float upwards to reduce the amount of water for the quick flush. Top of Float must be at least 1/2" (13 mm) below water level. In most cases water level can be raised by adjusting the fill valve.

- Quick Flush = Blue Float**
- Up = less water drains
- Down = more water drains (per flush)
- Full Flush = Green Slide**
- Up = less water drains
- Down = more water drains (per flush)

# Water-Saving Tips

The following steps illustrate adjustments to the Mini-Valve® and Quick Flush Float to maximize savings.

Begin with the Mini-Valve in the OPEN position.



Flush the Quick Flush handle and watch as the bowl refills.



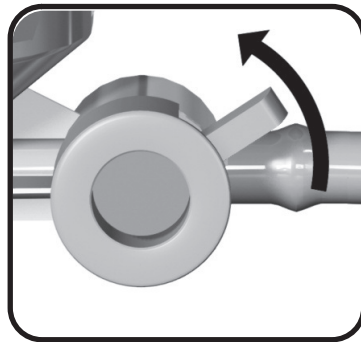
If the water continues to ripple after reaching the pencil mark...



If the water is lower than the pencil mark after the tank fills...



...turn the Mini-Valve counter-clockwise.



... adjust the Quick Flush Blue Float downwards, or open Mini-Valve.



Continue adjusting the Mini-Valve or Blue Foat until the water reaches the pencil mark at the same time as the tank finishes filling.



Your Fill Valve and Dual Flush Converter are now calibrated to save you thousands of gallons (litres) of water year after year.

## IMPORTANT NOTE

Adjustment is for Quick Flush. Rippling will occur on Full Flush.

# TROUBLESHOOTING

The Dual Flush Converter was designed to be quickly installed and easy to use. Most people will be on their way to saving water and money after our quick installation process. However, since not all toilets are exactly the same, you may need a few simple adjustments to use this product. Below are some troubleshooting tips:

## My Quick Flush handle must be held, in order to flush.

### Check Handle

Be sure that Quick Flush Handle is fully engaged when pressed. If Handle is pressed in fully (1/2" - 13 mm), and it still needs to be held, proceed to the next step.

### Check Blue Float

The Blue Float controls the amount of water used during Quick Flush. Lower it to allow for more water to be used during Quick Flush. Test Quick Flush Handle after this adjustment is made. If Blue Float is all the way down, proceed to next step.

### Check Control Cable

The Control Cable could be bent. Disconnect the Handle Assembly from the toilet tank. Straighten Cable by bending in the opposite direction. Reattach Handle to Gearbox and test Quick Flush. If Quick Flush works with wire straight, reinstall Handle Assembly keeping Cable as straight as possible. If Quick Flush Handle still needs to be held, then there is not enough water in the tank.

Please proceed to Water Level Adjustment below.

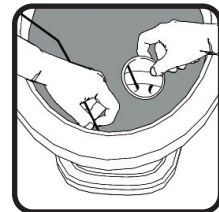
## My toilet bowl doesn't fully empty with Quick Flush.

### Check Water Level

There may not be enough water in the tank. Check Water Level Adjustment, the toilet bowl jets may be plugged, or you may have to go back to WATER SAVING TIPS on previous page.

### Check Jets

Clean out the toilet bowl jets that are located underneath the rim of the toilet bowl. There are (approximately) 20 jets that can get clogged with lime and sediment. This buildup will affect flush power. Cleaning these jets out will improve toilet performance and efficiency. A wire coat hanger can be bent at a 90 degree angle to poke into each of the jets. There is typically 1 main jet located in the bowl (normally about the size of a nickel) that should be checked as well.



### Check Bowl Water Level

Go to WATER SAVING TIPS on previous page.

## My tank is refilling and toilet was not flushed

### Check Blue Dome Gasket:

Blue Dome Gasket was not properly seated against the flush valve opening during installation process. Apply Float Lock on Fill Valve to shut off water and press Full Flush Handle to empty toilet tank. Disconnect Control Box and remove Housing, Base and Cam. Cut Zip Tie (replace with extra Zip Tie). Reinstall by using steps 9-12 of instructions. Disengage Float Lock to allow tank to refill. Mark the water level inside the tank with a pencil and re-apply Float Lock. Wait fifteen minutes. Check pencil mark in tank. If water level is still up to the pencil mark, then Blue Dome Gasket is now seated properly. If water level is below, check Blue Dome gasket.

## Water Level Adjustment

1. Raise the water level in the tank by pushing down on the Fill Valve Float.
2. Press the Quick Flush Handle.
3. If the Quick Flush works with higher water level, then adjust the Fill Valve to allow more water into the tank.