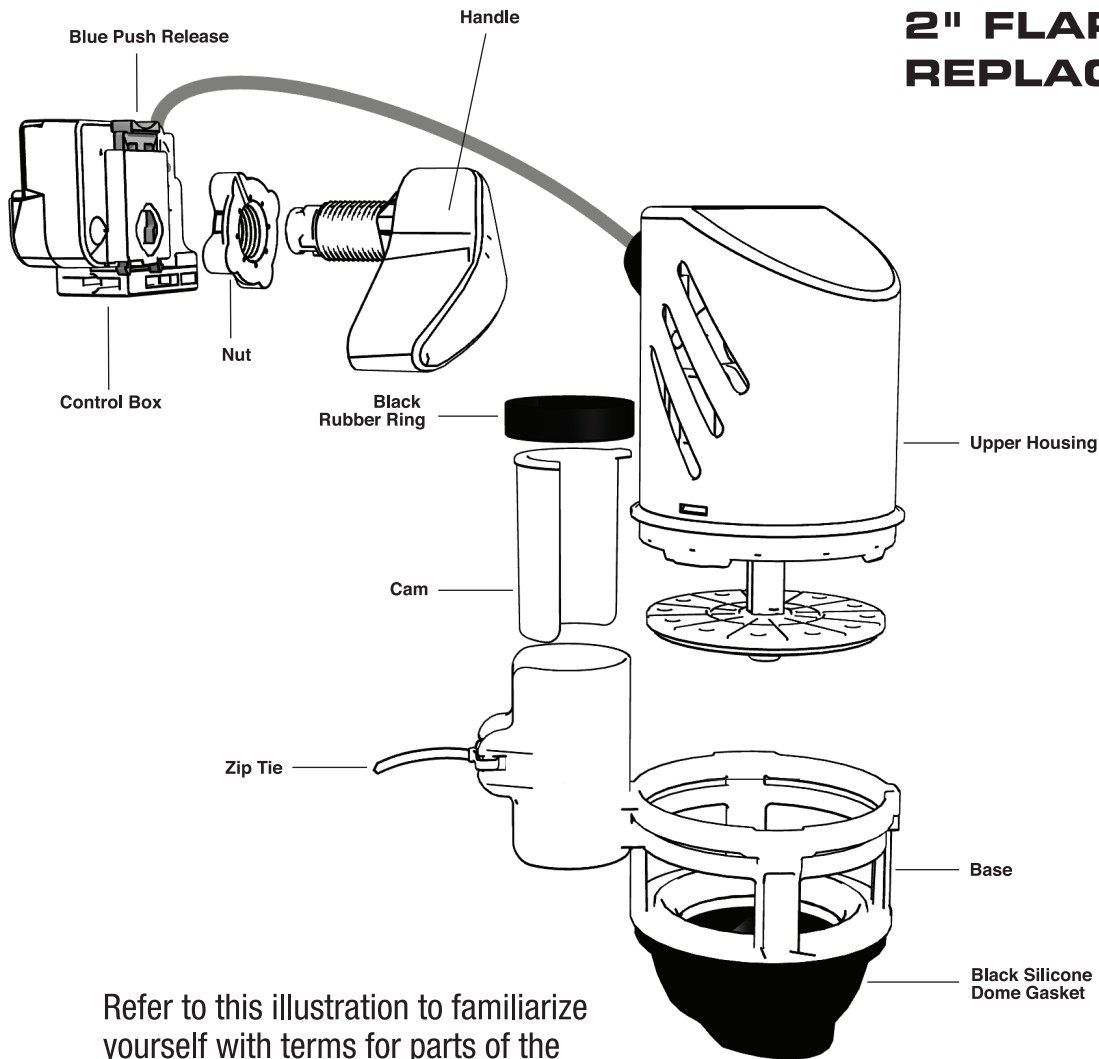


QUICK INSTALLATION INSTRUCTIONS



HYDROSTOP® 2" FLAPPER & LEVER REPLACEMENT KIT



Refer to this illustration to familiarize yourself with terms for parts of the HydroStop.

NOTE: Actual part colors may vary.

ABOUT HYDROSTOP®

- Better than a standard flapper
- Adjustable water settings
- Chlorine & chemical resistant silicone seals
- Overflow prevention

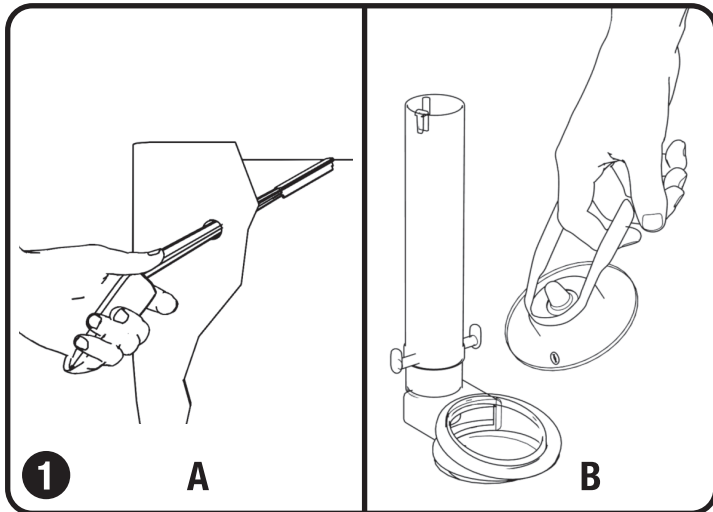
OVERFLOW PREVENTION



At the first sign of a clogged toilet, push handle upward as shown in the picture to the left.

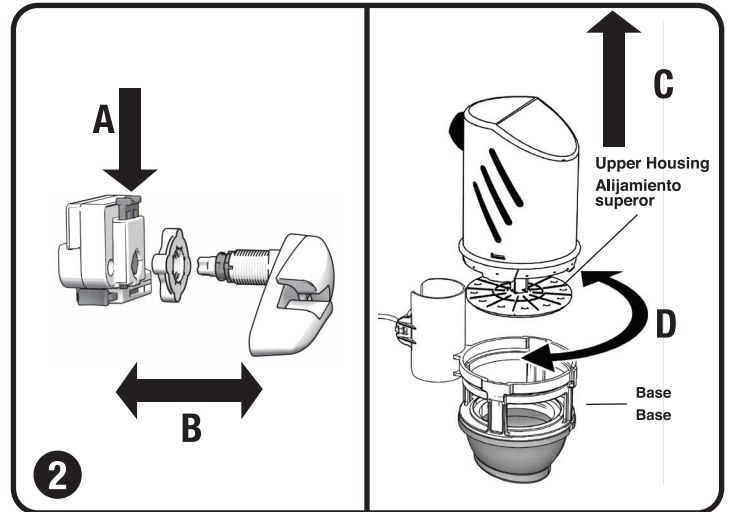
The spring-loaded seal immediately stops the flush valve.

QUICK INSTALLATION INSTRUCTIONS



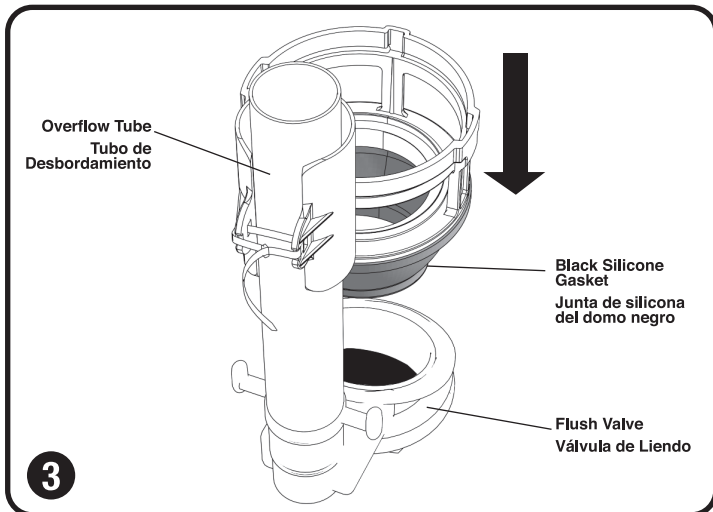
A. Turn off water.
Flush toilet.

B. Disconnect and remove flapper
and handle.

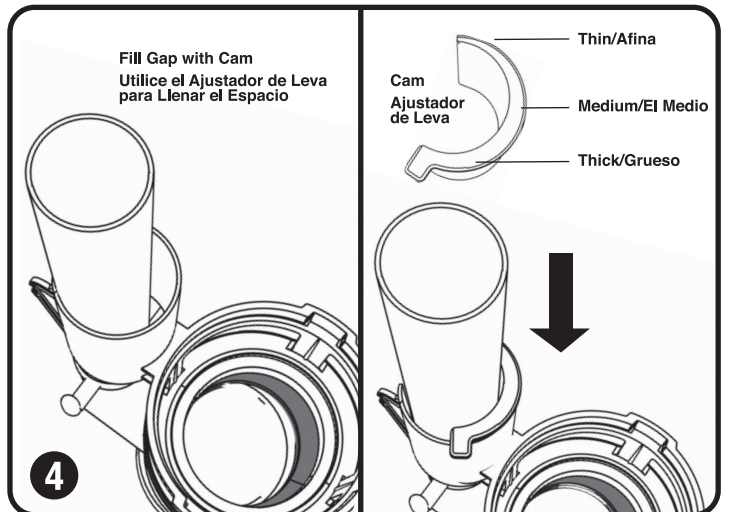


A. Push in Blue Release
B. Separate Handle

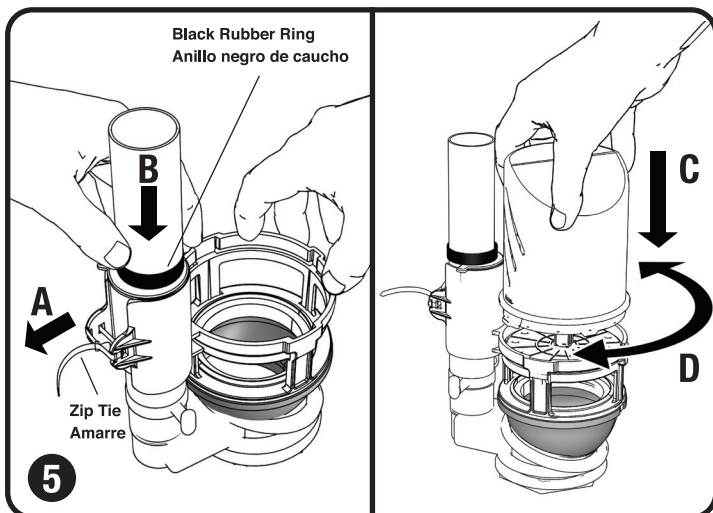
To detach the upper housing (C) from the
base (D), hold base and gently pull apart
while turning the upper housing.



Slide Base down overflow tube, seating Black Silicone Gasket into flush valve

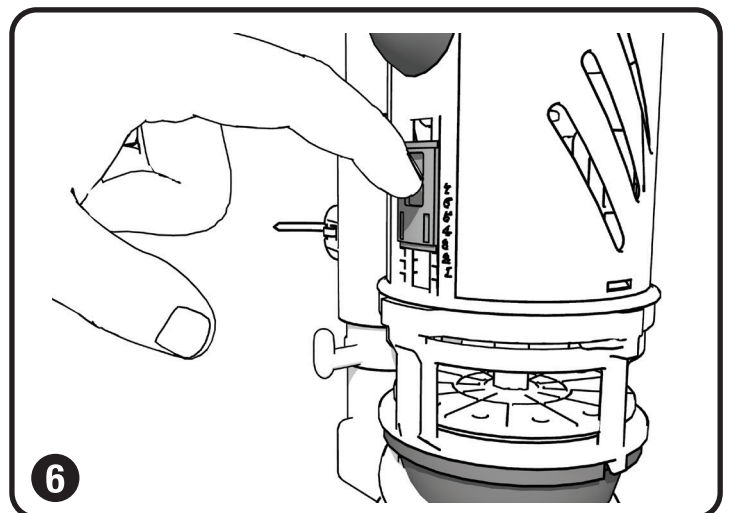


If gap appears around overflow tube, estimate width of space and use with thick, medium or thin section of Cam, as needed to fill gap.

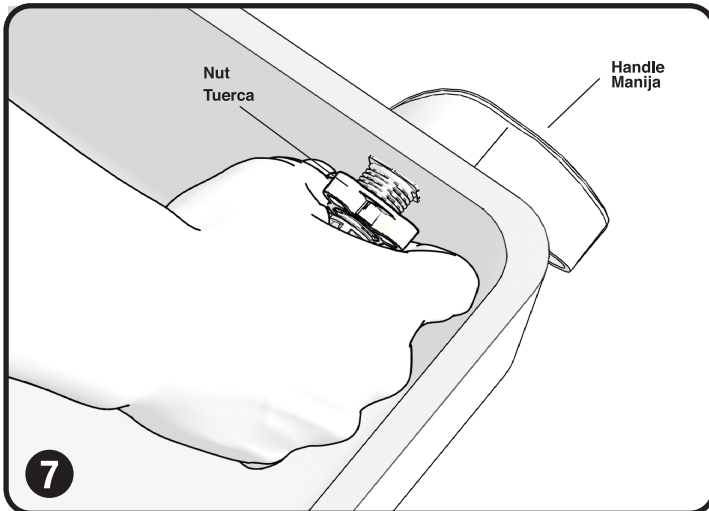


While applying downward pressure
on the top of the base assembly, pull
the zip tie (A) tight. B. Slide the black
rubber ring onto the overflow tube
until it just makes contact with the
top of the base assembly bracket.

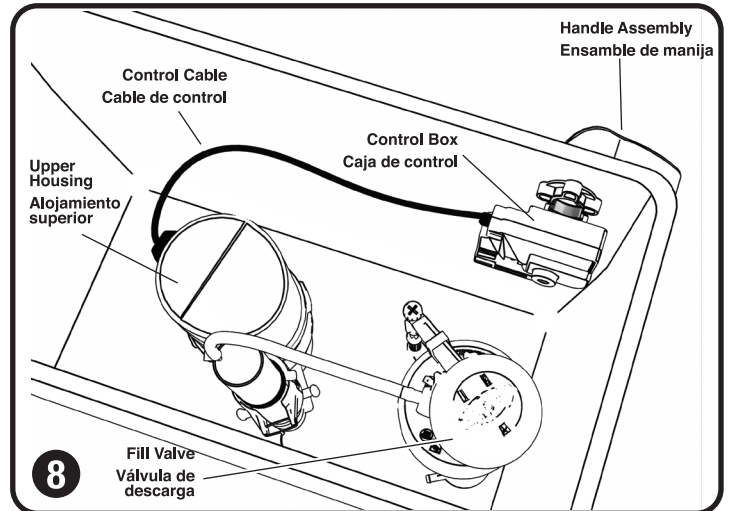
C. Attach Upper Housing to Base.
D. Twist to lock in place.



The blue adjustable slide controls how much water is used each flush. The higher it is raised, the less water is used. On most modern 1.6 or 1.28 GPF toilets, it can remain at the lowest settings. On older toilets, you may see some water savings from raising it.



Tighten nut onto Handle.



Position handle in standard operating position and attach gray control box to Handle Assembly. Audible click assures that Clip has secured Control Box to Handle, and unit will no longer pull apart without pushing the Blue Push Release. CONTROL BOX AND CONTROL CABLE MUST NOT TOUCH FILL VALVE OR INTERFERE WITH FILL VALVE'S OPERATION.

TROUBLESHOOTING

My tank is refilling and toilet was not flushed.

Check Black Dome Gasket

A leak may occur if Black Dome Gasket was not properly seated against the flush valve opening during installation process. Disconnect Control Box and remove Housing, Base and Cam. Cut Zip Tie (replace with extra Zip Tie). Reinstall by paying close attention to steps 3-5 above. Use a pencil to mark the inside of the toilet tank just above the Black Dome Gasket. Fill tank with water to this line. Wait fifteen minutes. Check pencil mark in tank. If water level is still up to the pencil mark, then Black Dome Gasket is seated properly. If water level is below, check Black Dome gasket.

WARNING:
Do Not Use Plumber's Putty