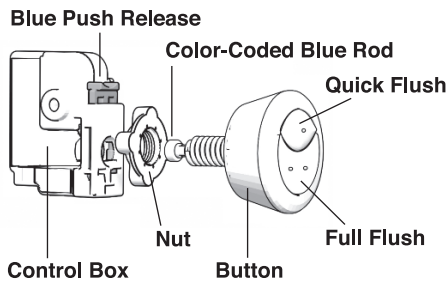


# HYDRORIGHT® DUAL FLUSH CONVERTER

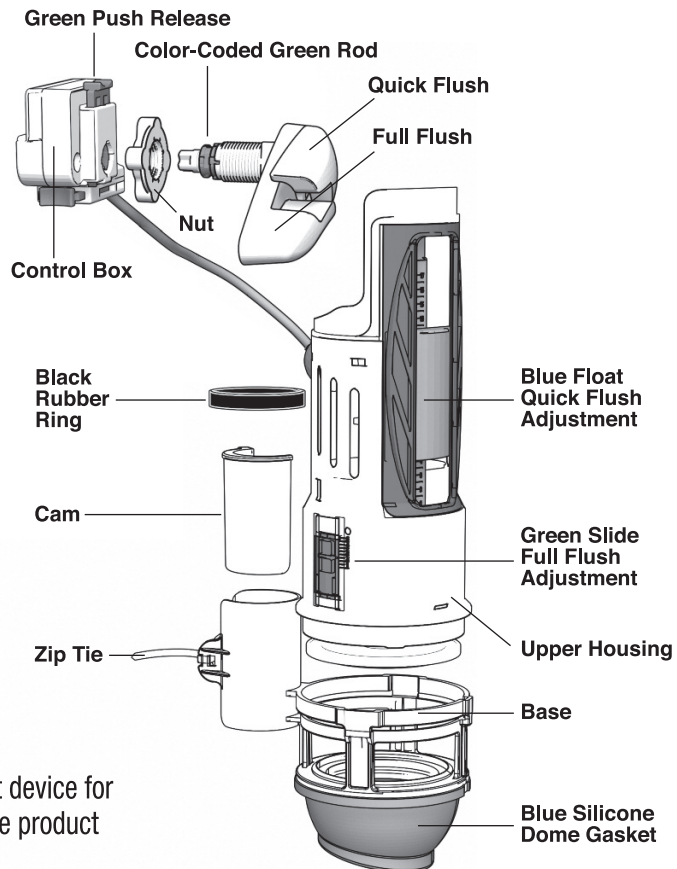


## Installing the Dual Flush Converter

*If your unit has a button*



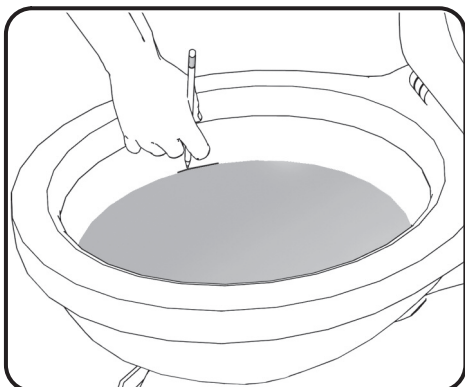
*If your unit has a handle*



Refer to this illustration to familiarize yourself with terms for parts of the Dual Flush Converter

\*This device is not intended to be used as a retrofit device for 1.28 gpf water closets. Performance may vary since product was not tested on all models of water closets.

## BEFORE YOU BEGIN



Mark this level before shutting off water or flushing toilet. This mark will be referred to when maximizing your water savings.

*See Water Saving Tips and Tricks sheet*

### NOTE

If you have a ballcock style fill valve, you may need to purchase a HydroClean or HydroWorks Fill Valve

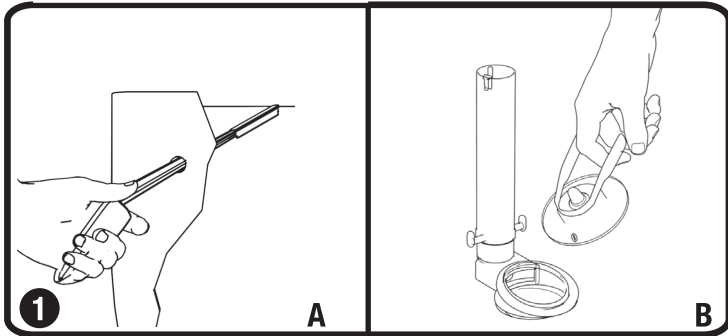
This device is not intended to be used as a retrofit device for 1.28 gpf water closets. Performance may vary since product was not tested on all models of water closets.

HydroRight® is a registered trademark of Danco, Inc.

# QUICK INSTALLATION INSTRUCTIONS

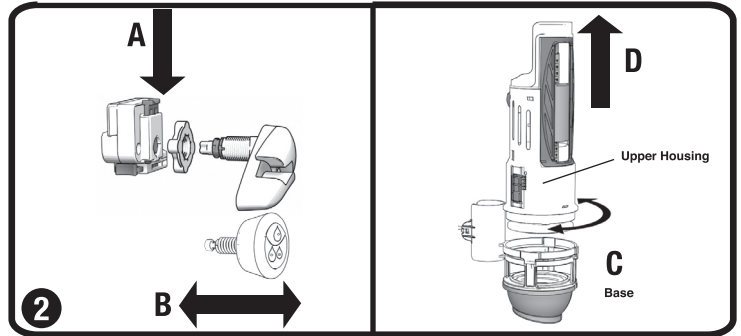
HYDRORIGHT®

This device is not intended to be used as a retrofit device for 1.28 gpf water closets. Performance may vary since product was not tested on all models of water closets.



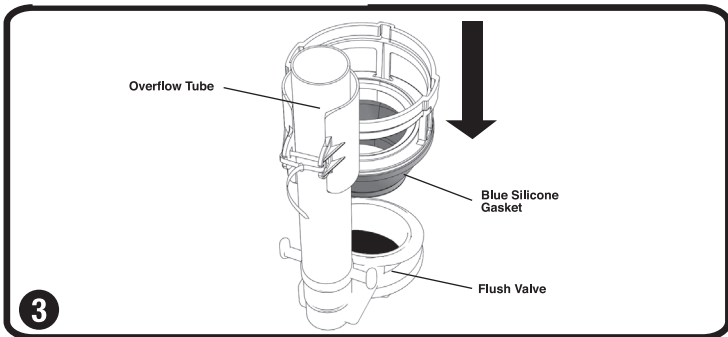
A. Turn off water. Flush toilet.

B. Disconnect and remove flapper and handle.

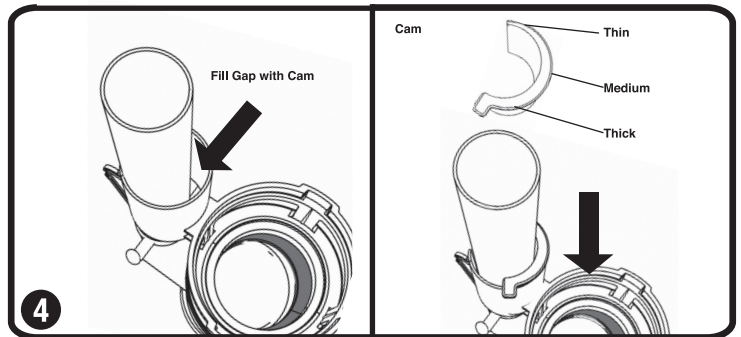


A. Push in Blue or Green Release.  
B. Separate Handle or Button.

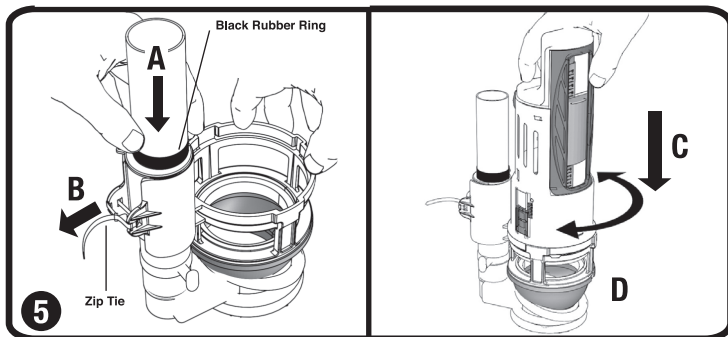
C. Twist Upper Housing to unlock.  
D. Pull up from Base to separate.



Slide Base down overflow tube, seating Blue Silicone Gasket into flush valve. Unit is designed to install vertically with both angled and straight flush valve openings. Gasket should seat tight enough to make a seal, but not so much that the dome gasket warps.

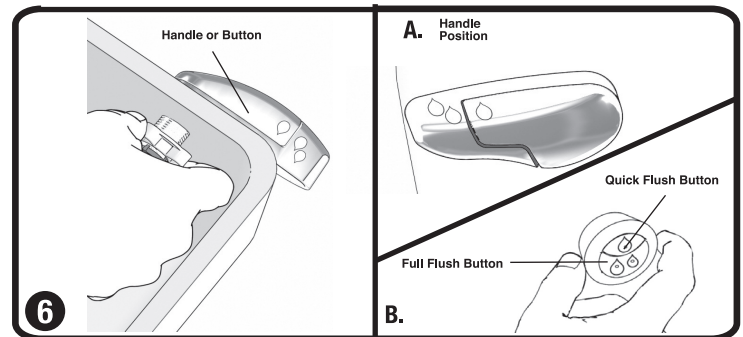


If gap appears around overflow tube, estimate width of space and use with thick, medium or thin section of Cam, as needed to fill gap.

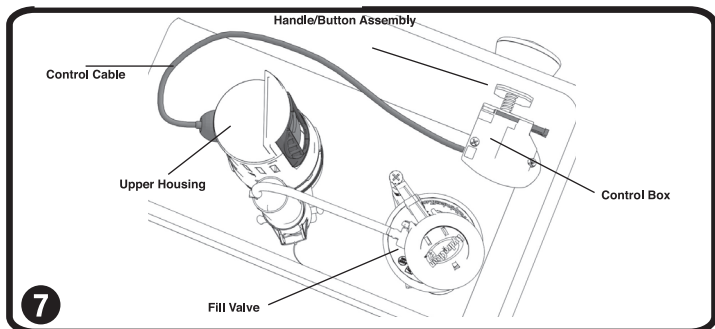


A. Slide Black Rubber Ring onto overflow tube. Maintain slight downward pressure to Rubber Ring.  
B. Pull Zip Tie tight.

C. Attach Upper Housing to Base.  
D. Twist to lock in place.

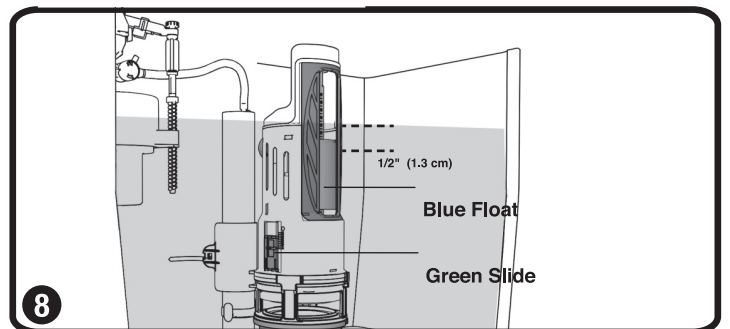


A. For units with Handle, position and hand tighten Handle in a standard operating position.  
B. For units with Button, hand tighten Button with smaller Quick Flush Button positioned above the Full Flush Button.



Match the color-coded hole to the corresponding Handle/Button connection pieces, attach white Control Box to Handle/Button. Audible click assures that Clip has secured Control Box to Handle/Button and unit will no longer pull apart without pushing the Green or Blue Push Release.

**CONTROL BOX AND CONTROL CABLE MUST NOT TOUCH FILL VALVE OR INTERFERE WITH FILL VALVE'S OPERATION.**



Proper water level should be indicated inside tank or 1/2" to 1" (13 - 25 mm) below overflow tube.

Adjust Blue Float. Begin with Blue Float at lowest position. Adjust Blue Float upwards to reduce the amount of water for the quick flush. Top of Float must be at least 1/2" (13 mm) below water level. In most cases water level can be raised by adjusting the fill valve.

- Quick Flush = Blue Float**  
Up = less water drains  
Down = more water drains (per flush)
- Full Flush = Green Slide**  
Up = less water drains  
Down = more water drains (per flush)