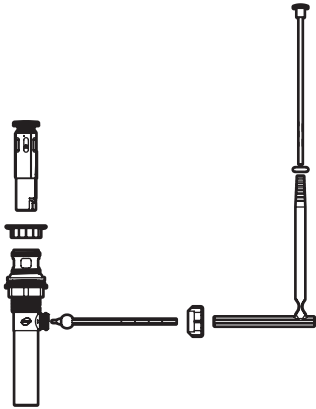


## USE AND CARE GUIDE

### Pop-Up Drain Body and Trim



## Pre-Installation

### TOOLS REQUIRED



Silicon caulk



Wrench

### PACKAGE CONTENTS

Part	Description	Part	Description
A	Stopper	G	Tailpiece
B	Flange	H	Lever rod
C	Tapered gasket	I	Lever rod nut
D	Plastic washer	J	Linkage arm
E	Locknut	K	Locking ring
F	Pivot ball cavity	L	Lift rod

## Installation

### 1 Removing the old drain assembly

- Turn off the water supply to the faucet.
- Remove the old pivot rod, clip, and lift rod.
- Unscrew the P-trap from the drain tailpiece.
- Loosen the locknut that secures the drain body to the sink.
- Unscrew the drain assembly from the flange and remove.

### 2 Preparing the faucet assembly for installation

- Unscrew the lever rod nut (I) completely from the drain body.
- Twist the locknut (E), plastic washer (D), and tapered gasket (C) all the way down close to the pivot ball cavity (F).
- Clean sink hole. Place the new pop-up body underneath the sink to verify that the tailpiece (G) portion fits into the P-trap.

### 3 Installing the flange

- Apply silicon caulking to the underside of the flange (B).
- Place the flange (B) in the sink hole.

### 4 Installing the drain body

- From underneath the sink, screw the drain body into the flange (B).
- Ensure the pivot ball cavity (F) faces the sink and faucet.
- Hand tighten the locknut (E) to the bottom of the sink. Then use a basin wrench to quarter turn and tighten again. Ensure the tapered side of the gasket (C) is against the bottom of the sink and the flat plastic washer (D) is between the tapered gasket (C) and locknut (E).
- Connect the tailpiece (G) to the P-trap by tightening the nut on the P-trap to secure the assembly in place.

## Installation (continued)

### 5 Installing the lift rod assembly

- Insert the ball portion of the lever rod (H) into the pivot ball cavity (F).
- Screw the lever rod nut (I) over the lever rod (H) and hand tighten to secure the lever rod (H) in place. The lever rod ridge **MUST** be facing right-side from front as the drawing shows.
- Make sure the nut is tight enough to prevent leaks, but loose enough so that the lever rod moves up and down easily.

### 6 Installing the stopper

- While holding down the lever rod (H), place the stopper (A) through the flange (B) and into the sink.
- Turn the stopper (A) clockwise to lock in-place with the lever rod (H).

**NOTE:** Verify the stopper (A) goes up and down with the lever rod. If not, readjust the stopper (A) and lever rod (H) position.

### 7 Installing the lift rod

- Insert the lift rod (L) into the hole in the back of the faucet.
- From underneath the sink, slide the rubber locking ring (K) up from the bottom of the lift rod (L) and hold it high.
- Press the longer end of the rubber linkage arm (J) over the lift rod (L) and the shorter end over the lever rod (H).
- Slide the locking ring (K) over the linkage arm (J) to hold the lift rod (L) in place. Check to verify that the linkage arm (J), pop-up function, and the locking ring (K) holds the lever rod (H) in place.

### 8 Completing the installation

- Turn on the water supply to the faucet and check for leaks.
- Wipe off any excess silicon.

## Warranty

Glacier Bay products are manufactured with superior quality standards and workmanship and are backed by our limited lifetime warranty. Glacier Bay products are warranted to the original consumer purchaser to be free of defects in materials or workmanship. We will replace FREE OF CHARGE any product or parts that proves defective. Simply, return the product / part to any of The Home Depot retail locations or call 1-855-HD Glacier (1-855-434-5224) to receive the replacement item. Proof of purchase (original sales receipt) from the original consumer purchaser must be made available for all Glacier Bay warranty claims. This warranty excludes incidental/inconsequential damages and failures due to misuse, abuse or normal wear and tear. This warranty excludes all industrial, commercial & business usage, whose purchasers are hereby, extended a five year limited warranty from the date of purchase, with all other terms of this warranty applying except the duration of warranty. Some states and provinces do not allow the exclusion or limitation of incidental or consequential damages, so the above limitations may not apply to you. This warranty gives you specific legal rights and you may also have other rights that vary from state to state and province to province.

Please see a store or contact 1-855-HD Glacier for more details.

