



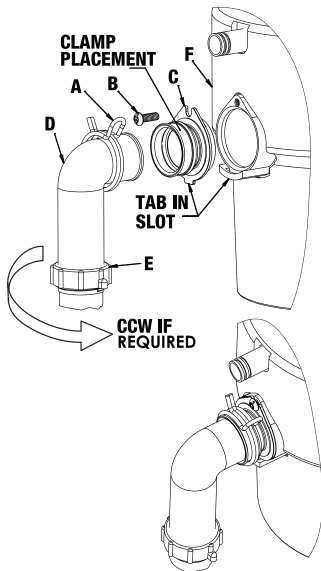
INSTALLATION INSTRUCTIONS FOR DISPOSAL FLEX COUPLER

Visit
DANCO.COM
for Easy D.I.Y. Solutions

Instructions

Tools Required (not included): Pliers, Standard Flat Blade Screwdriver

1. Turn OFF electrical power at circuit breaker or fuse box and unplug disposal.
2. Using pliers, squeeze Constant Tension Clamp (A), sliding it off Flexible Coupler (C) and back over Waste Bend (D) as shown.
3. Remove Screw (B) from Disposer (F) turning counter-clockwise with flat blade screwdriver.
4. Pull back slightly on Waste Bend (D) (if necessary, loosen Nut (E) by turning counter-clockwise) while removing the old Flexible Coupler (C).
5. Install the new Flexible Coupler (C) by inserting its bottom tab into the slot in Disposer (F) as shown and threading Screw (B) through the slot in the top of the Coupler (C) and into the disposer (F) until snug.
6. Pop the Waste Bend (D) firmly into the Coupler.
7. Using pliers, squeeze the Clamp (A) and slide it over the lip of the Coupler (C) and seat it on the smooth recess labeled CLAMP PLACEMENT.
8. Retighten Nut (E) clockwise if loosened in Step 4.
9. Plug in disposal and turn the power back on at the circuit breaker or fuse box.
10. Run water into disposal and turn ON – check for leaks.



**Flexible Coupler Fully Installed
(Some features not shown for clarity)**

This replacement part and Danco are
not affiliated with InSinkErator®.

© 2023 Manufactured for
Danco, Inc., Irving, TX 75062
InSinkErator® is a registered
trademark of Emerson Electric Co.
Made in China/Hecho en China
120771